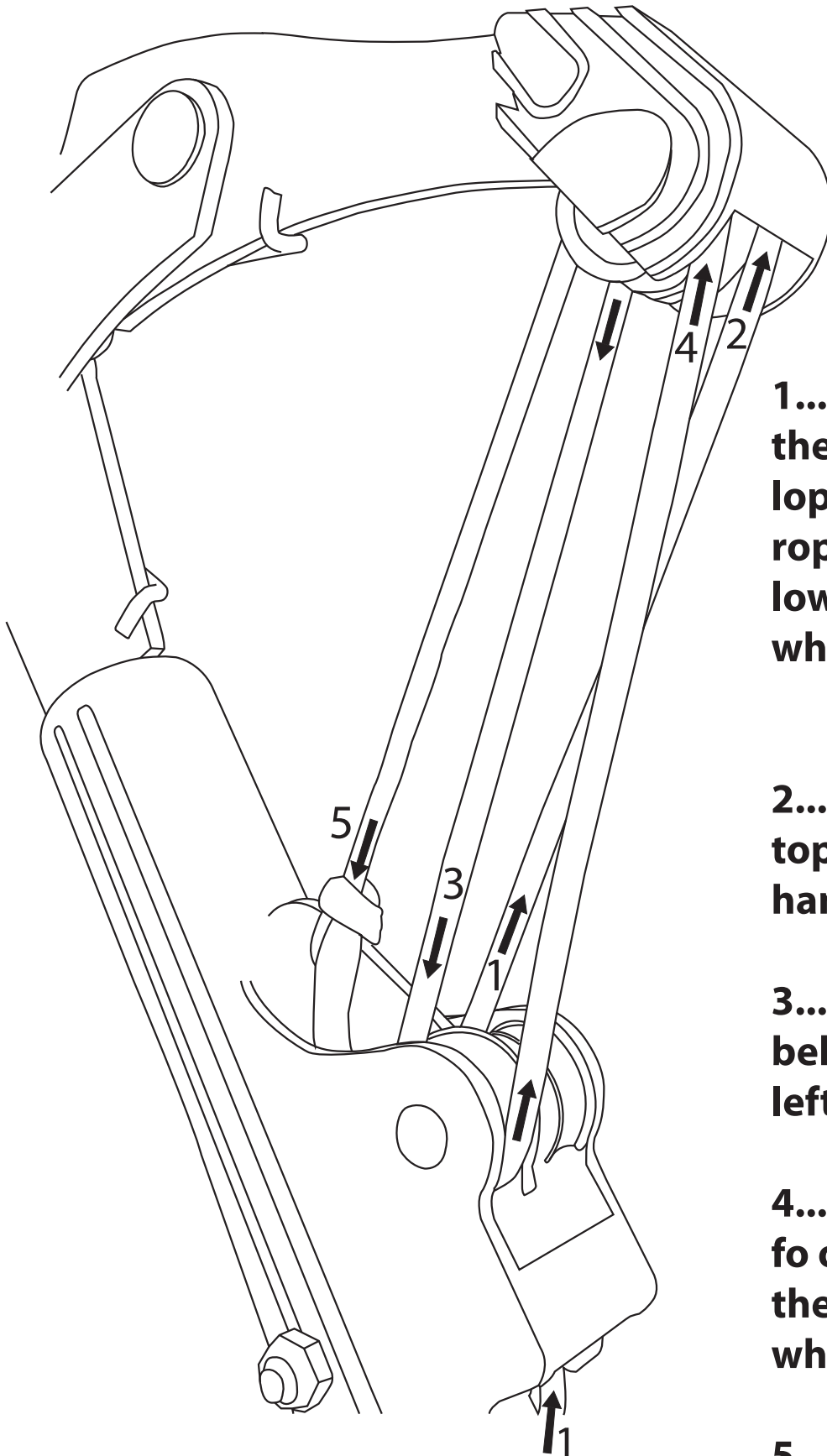


DP583 - Threading Instructions



1..... Looking from the back of the lopper, pass the rope up behind the lower right hand wheel

2..... Go over the top of the top right hand wheel.

3..... Back down behind the bottom left hand wheel.

4..... Back up and go over the top of the top left hand wheel.

5..... Finally secure with knot at 5